

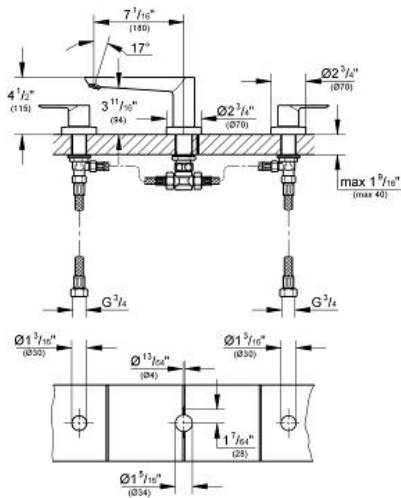
# BAULOOP Roman Tub Filler

MODEL # 19593

Pure Freude an Wasser

GROHE

GROHE America, Inc | 200 North Gary Avenue, Suite G, Roselle, IL 60172  
Phone: +1 (800) 444-7643 | Fax: +1 (800) 225-2778 | us-customerservice@grohe.com



ADA

## Product Description: Roman Tub Filler

### Standard Specification:

- 1/2" ceramic cartridge (90° turn)
- Metal lever
- Stainless steel flex lines
- Chrome Finish
- Max Flow Rate 13.2 gpm (50 L/min)

### Applicable Codes & Standards:

- Energy Policy Act of 1992
- ASME A112.18.1/CSA B125.1
- US Federal and State material regulations
- ICC/ANSI A117.1

### Color:

- 19593 000 chrome