

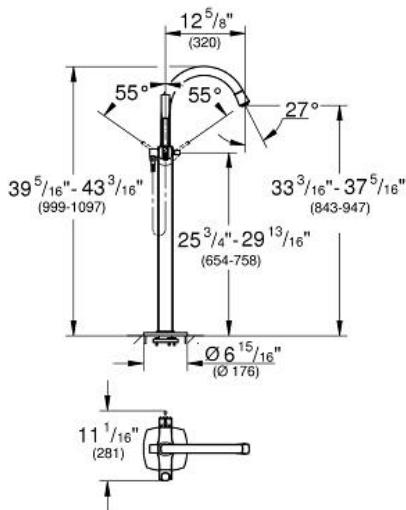
# GRANDERA Single-lever Bath Mixer 1/2"

MODEL # 23318

Pure Freude an Wasser



GROHE America, Inc | 200 North Gary Avenue, Suite G, Roselle, IL 60172  
Phone: +1 (800) 444-7643 | Fax: +1 (800) 225-2778 | us-customerservice@grohe.com



ADA

## Product Description: Single-lever Bath Mixer 1/2"

### Standard Specification:

- Floor standing tub filler
- Requires Rough-In Set (29 038) (sold separately)
- **GROHE SilkMove®** ceramic cartridge
- **GROHE StarLight®** finish
- Automatic diverter: bath/shower
- Spout with flow control
- 1/2" integrated non-return valves in the shower outlet
- With shower holder
- Grandera hand shower stick, 2.0 gpm (26 037)
- Metal shower hose
- **Protected against backflow**
- Min. recommended pressure: 15 psi
- Max Flow Rate (hand shower): 2.0 gpm (7.6 l/min)

### Applicable Codes & Standards:

- Energy Policy Act of 1992
- ASME A112.18.1/CSA B125.1
- ICC/ANSI A117.1

### Color:

- 23318 000 chrome
- 23318 DA0 Warm Sunset
- 23318 EN0 brushed nickel

