

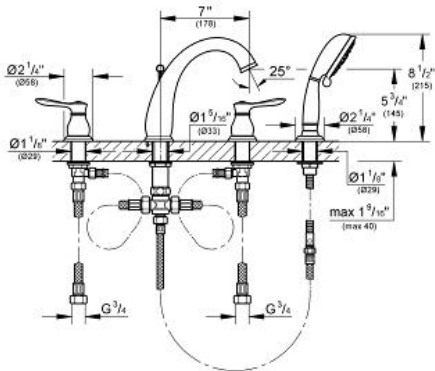
# PARKFIELD 4-H Roman Tub

MODEL # 25153

*Pure Freude an Wasser*

**GROHE**

GROHE America, Inc | 200 North Gary Avenue, Suite G, Roselle, IL 60172  
Phone: +1 (800) 444-7643 | Fax: +1 (800) 225-2778 | us-customerservice@grohe.com



## Product Description: 4-H Roman Tub

### Standard Specification:

- Spout with diverter
- Flow control
- **GROHE StarLight®** finish
- New Tempesta Rustic 100 hand shower (27 608), 2.5 gpm
- Max Flow Rate 13.2 gpm at 45 psi (50 L/min), 2.5 gpm (9.5 L/min) for Hand Shower

### Applicable Codes & Standards:

- Energy Policy Act of 1992
- ASME A112.18.1/CSA B125.1

### Color:

- 25153 000 chrome
- 25153 EN0 brushed nickel