

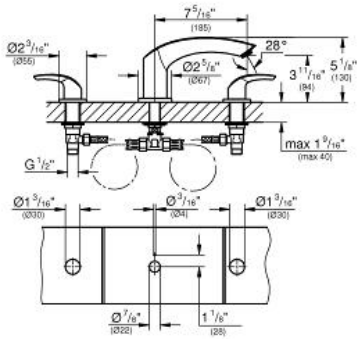
EUROSMART Roman Tub Filler

MODEL # 25168

Pure Freude an Wasser



GROHE America, Inc | 200 North Gary Avenue, Suite G, Roselle, IL 60172
Phone: +1 (800) 444-7643 | Fax: +1 (800) 225-2778 | us-customerservice@grohe.com



Product Description:
Roman Tub Filler

- Standard Specification:**
- GROHE StarLight® finish

- Applicable Codes & Standards:**
- Energy Policy Act of 1992
 - NSF 61
 - ASME A112.18.1/CSA B125.1
 - US Federal and State material regulations
 - ICC/ANSI A117.1

- Color:**
- 25168 002 chrome
 - 25168 EN2 brushed nickel

