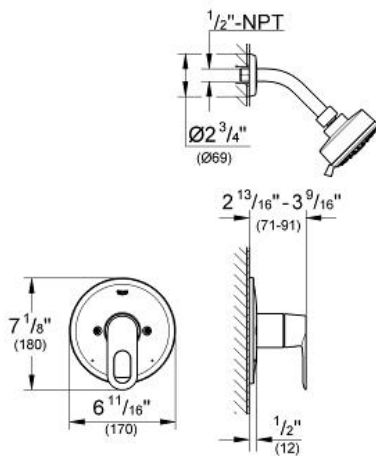


BAULOOP
Shower set
MODEL # 27547

Pure Freude an Wasser



GROHE America, Inc | 200 North Gary Avenue, Suite G, Roselle, IL 60172
Phone: +1 (800) 444-7643 | Fax: +1 (800) 225-2778 | us-customerservice@grohe.com



Product Description:
Shower set

Standard Specification:

- Single lever valve
- For use with GrohSafe Rough-In Valve (35 015 000)
- Without concealed body
- Metal lever
- Escutcheon and shaft sealing
- New Tempesta® Cosmopolitan 100 (26 078), 1.75 gpm

Applicable Codes & Standards:

- Energy Policy Act of 1992
- ASME A112.18.1/CSA B125.1
- ICC/ANSI A117.1

Color:

- 27547 000 chrome