

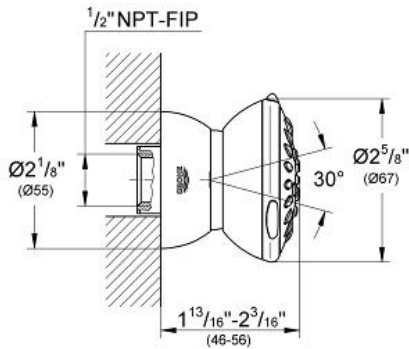
MOVARIO 70 NPT Side Shower 2 Sprays

MODEL # 28528

Pure Freude an Wasser



GROHE America, Inc | 200 North Gary Avenue, Suite G, Roselle, IL 60172
Phone: +1 (800) 444-7643 | Fax: +1 (800) 225-2778 | us-customerservice@grohe.com



Product Description: Side Shower 2 Sprays

Standard Specification:

- 2 adjustable spray patterns: Normal/Massage
- Extreme low profile
- Ball-joint
- 1/2" NPT Female Threads
- **GROHE StarLight®** finish
- **SpeedClean®** anti-lime system
- Max Flow Rate 2.5 gpm at 80 psi (9.5 L/min)

Applicable Codes & Standards:

- Energy Policy Act of 1992
- ASME A112.18.1/CSA B125.1

Color:

- 28528 000 chrome
- 28528 BE0 sterling / brilliant nickel
- 28528 EN0 brushed nickel
- 28528 R00 polished brass
- 28528 ZB0 oil rubbed bronze

