

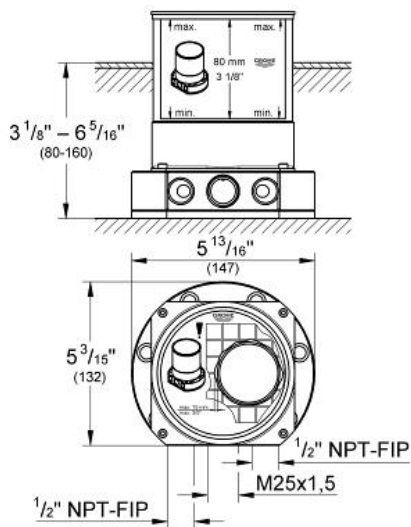
Rough-in set 1/2"

MODEL # 29038

Pure Freude an Wasser

GROHE

GROHE America, Inc | 200 North Gary Avenue, Suite G, Roselle, IL 60172
Phone: +1 (800) 444-7643 | Fax: +1 (800) 225-2778 | us-customerservice@grohe.com



Product Description: Rough-in set 1/2"

Standard Specification:

- Without finishing trim set
- Flushing plug
- Mounting material

Applicable Codes & Standards:

- Energy Policy Act of 1992
- ASME A112.18.1/CSA B125.1
- US Federal and State material regulations

Color:

- 29038 001 chrome
- 29038 000 no colour