

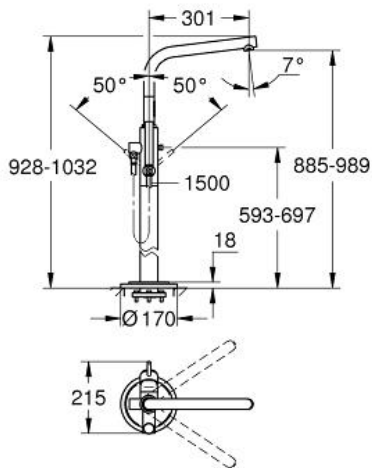
ATRIO
Single-lever Bath Mixer 1/2"

MODEL # 32135

Pure Freude an Wasser



GROHE America, Inc | 200 North Gary Avenue, Suite G, Roselle, IL 60172
Phone: +1 (800) 444-7643 | Fax: +1 (800) 225-2778 | us-customerservice@grohe.com



ADA

Product Description:
Single-lever Bath Mixer 1/2"

Standard Specification:

- Floor standing tub filler
- Requires Rough-In Set (29 038 001) (sold separately)
- **GROHE StarLight®** finish
- **GROHE SilkMove®** ceramic cartridge
- Adjustable flow rate limiter
- 7° swivel tubular spout
- 11 7/8" spout reach
- Stop limiter
- Bath/shower diverter
- 1/2" Integrated non-return valve in the shower outlet
- With shower holder
- **Protected against backflow**
- Min. recommended pressure: 15 psi

Applicable Codes & Standards:

- Energy Policy Act of 1992
- ASME A112.18.1/CSA B125.1
- ICC/ANSI A117.1

Color:

- 32135 002 chrome