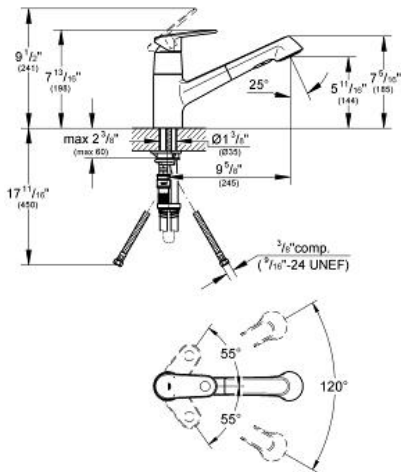


EUROPLUS
Single-lever sink mixer 1/2"
MODEL # 32946

Pure Freude an Wasser



GROHE America, Inc | 200 North Gary Avenue, Suite G, Roselle, IL 60172
Phone: +1 (800) 444-7643 | Fax: +1 (800) 225-2778 | us-customerservice@grohe.com



Product Description:
Single-lever sink mixer 1/2"

Standard Specification:

- Low spout
- Single hole installation
- GROHE StarLight® finish
- GROHE SilkMove 35 mm ceramic cartridge
- Pull-out Dual Spray Control - switches back and forth between regular flow and spray
- Diverter: aerator/shower jet
- Automatic return to aerator
- Adjustable flow rate limiter
- Swivel area 120°
- Metal lever
- Protected against backflow
- Stainless Steel Braided Flexible Supplies
- Quick installation system
- Max Flow Rate: 1.75 gpm (6.6 L/min)

Applicable Codes & Standards:

- Energy Policy Act of 1992
- NSF 61
- ASME A112.18.1/CSA B125.1
- US Federal and State material regulations
- ICC/ANSI A117.1

Color:

- 32946 002 chrome
- 32946 20E chrome
- 32946 DCE supersteel
- 32946 DC2 supersteel