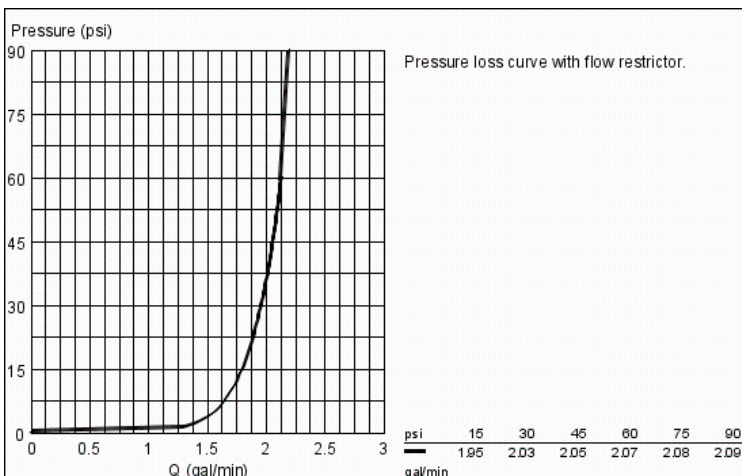
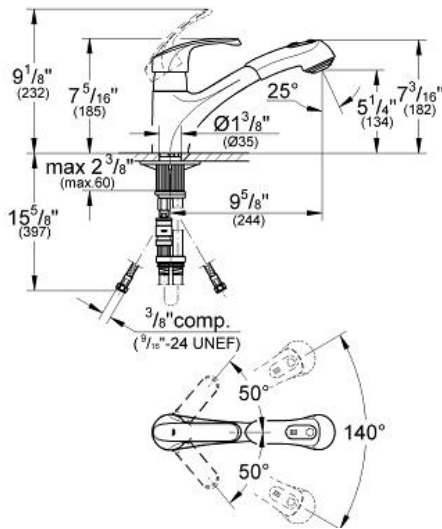


ALIRA  
Single-lever sink mixer 1/2"  
MODEL # 32999

Pure Freude an Wasser



GROHE America, Inc | 200 North Gary Avenue, Suite G, Roselle, IL 60172  
Phone: +1 (800) 444-7643 | Fax: +1 (800) 225-2778 | us-customerservice@grohe.com



**Product Description:**  
Single-lever sink mixer 1/2"

**Standard Specification:**

- Single hole installation
- **Solid Stainless Steel**
- **GROHE SilkMove®** ceramic cartridge
- **GROHE RealSteel®** Stainless Steel Construction produced from 304 stainless steel
- Adjustable flow rate limiter
- Swivel Spout
- With stop restriction
- **Dual Spray Pull-Out**
- Integrated non-return valves
- Locking Dual Spray Control - switches back and forth between regular flow and spray
- Automatic return from stream to shower spray
- **SpeedClean®** anti-lime system
- Double check valve
- Stainless Steel Braided Flexible Supplies
- Quick installation system
- Single Lever Handle
- Spout Reach 9 5/8"
- Optional temperature limiter ref. no. 46 308
- Max Flow Rate: 1.75 gpm (6.6 L/min)

**Applicable Codes & Standards:**

- Energy Policy Act of 1992
- NSF 61
- ASME A112.18.1/CSA B125.1
- US Federal and State material regulations
- ICC/ANSI A117.1
- CalGreen

**Color:**

- 32999 00E chrome
- 32999 000 chrome
- 32999 SDE stainless steel, brushed
- 32999 SD0 stainless steel, brushed