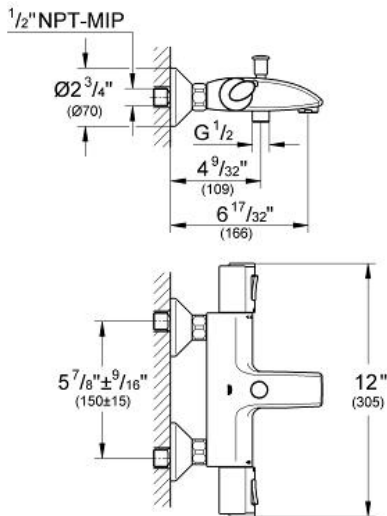


GROHTHERM 1000
Thermostatic bath mixer 1/2"
MODEL # 34159

Pure Freude an Wasser



GROHE America, Inc | 200 North Gary Avenue, Suite G, Roselle, IL 60172
Phone: +1 (800) 444-7643 | Fax: +1 (800) 225-2778 | us-customerservice@grohe.com



Product Description:
Thermostatic bath mixer 1/2"

Standard Specification:

- Wall mount
- GROHE TurboStat® Compact cartridge with wax thermoelement
- Integrated mixed water shut off
- 1/2" ceramic cartridge (180° turn)
- Automatic diverter: bath/shower
- Volume control handle with economy button and individually adjustable economy stop
- SafeStop at 100°F
- 1/2" Shower bottom outlet
- Flow control
- Built-in non-return valves
- Dirt strainers
- S-unions
- Protected against backflow
- GROHE EcoJoy® technology for less water and perfect flow
- GROHE StarLight® finish

Applicable Codes & Standards:

- Energy Policy Act of 1992
- ASME A112.18.1/CSA B125.1
- US Federal and State material regulations

Color:

- 34159 000 chrome