

GROHFLEX SHOWER SET

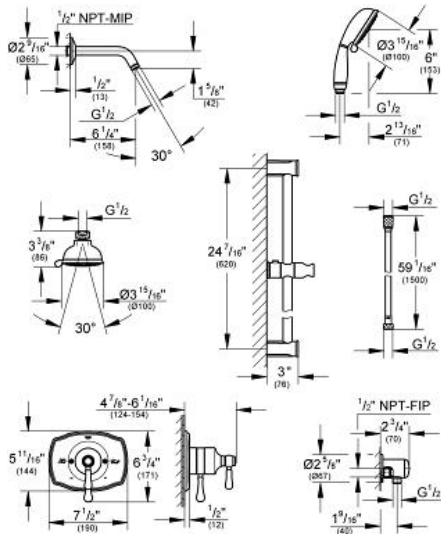
Thermostat valve

MODEL # 35053

Pure Freude an Wasser



GROHE America, Inc | 200 North Gary Avenue, Suite G, Roselle, IL 60172
 Phone: +1 (800) 444-7643 | Fax: +1 (800) 225-2778 | us-customerservice@grohe.com



Product Description:

Thermostat valve

Standard Specification:

- Shower combination
- Consisting of:
 - New Tempesta® Rustic 100 shower head - 4 spray 2.0gpm (26 045)
 - Relexa® 6 5/8" shower arm (27 412)
 - GrohFlex® PBV Authentic dual function (19 844)
 - New Tempesta® Rustic shower bar (27 519)
 - New Tempesta® Rustic 100 hand shower - 2 spray 2.0 gpm (26 048)
 - Rotaflex shower hose 1500 mm (28 417 000)
 - Relexa® wall union (28 672)
 - Requires GrohFlex® Universal Rough-In Box (35 026)

Applicable Codes & Standards:

- Energy Policy Act of 1992
- ASME A112.18.1/CSA B125.1

Color:

- 35053 EN0 chrome
- 35053 000 chrome