

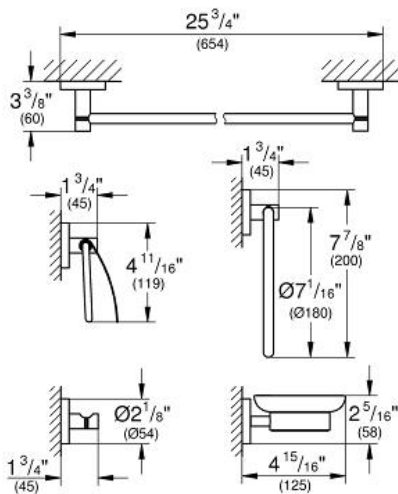
ESSENTIALS Accessory Set

MODEL # 40344

Pure Freude an Wasser

GROHE

GROHE America, Inc | 200 North Gary Avenue, Suite G, Roselle, IL 60172
Phone: +1 (800) 444-7643 | Fax: +1 (800) 225-2778 | us-customerservice@grohe.com



Product Description: Accessory Set

Standard Specification:

- Consisting of:
- 8" Towel ring (40 365)
- 24" towel bar (40 366)
- Robe hook (40 364)
- Toilet paper holder with cover (40 367)
- Soap dish with holder: (40 368) and (40 369)

Color:

- 40344 000 chrome
- 40344 EN0 brushed nickel