

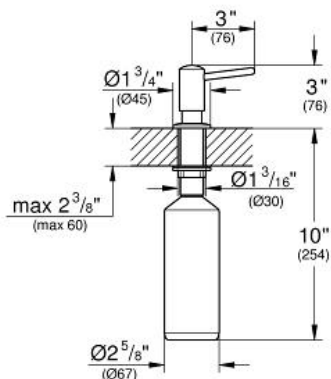
Contemporary Soap Dispenser

MODEL # 40536

Pure Freude an Wasser



GROHE America, Inc | 200 North Gary Avenue, Suite G, Roselle, IL 60172
Phone: +1 (800) 444-7643 | Fax: +1 (800) 225-2778 | us-customerservice@grohe.com



Product Description: Contemporary Soap Dispenser

Standard Specification:

- For liquid soaps
- Storage bin 0.1g
- GROHE StarLight® finish

Applicable Codes & Standards:

- Energy Policy Act of 1992
- ASME A112.18.1/CSA B125.1

Color:

- 40536 000 chrome
- 40536 DC0 supersteel