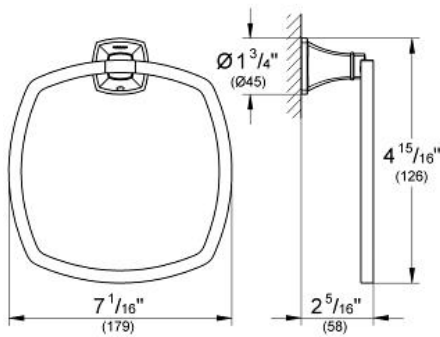


GRANDERA  
Towel Ring  
MODEL # 40630

Pure Freude an Wasser



GROHE America, Inc | 200 North Gary Avenue, Suite G, Roselle, IL 60172  
Phone: +1 (800) 444-7643 | Fax: +1 (800) 225-2778 | us-customerservice@grohe.com



**Product Description:**  
Towel Ring

**Standard Specification:**

- GROHE StarLight® finish
- 8"

**Applicable Codes & Standards:**

- Energy Policy Act of 1992
- ASME A112.18.1/CSA B125.1

**Color:**

- 40630 000 chrome
- 40630 DA0 Warm Sunset
- 40630 EN0 brushed nickel